

Stainless Steel-Clamping pads adjustable

SPECIFICATION

Types

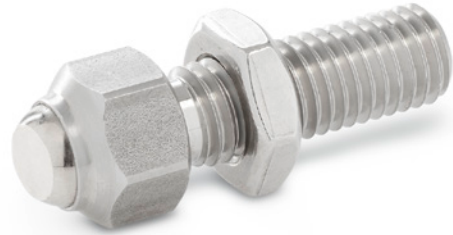
- Type **B**: Smooth contact face
- Type **BR**: Smooth contact face, with automatic return

Stainless Steel AISI 431 tempered

Ball
Stainless Steel AISI 420C nickel plated

Spring element
Plastic (PUR)
(Type BR)

Hexagon nut ISO 4035 (DIN 439)
Stainless Steel



INFORMATION

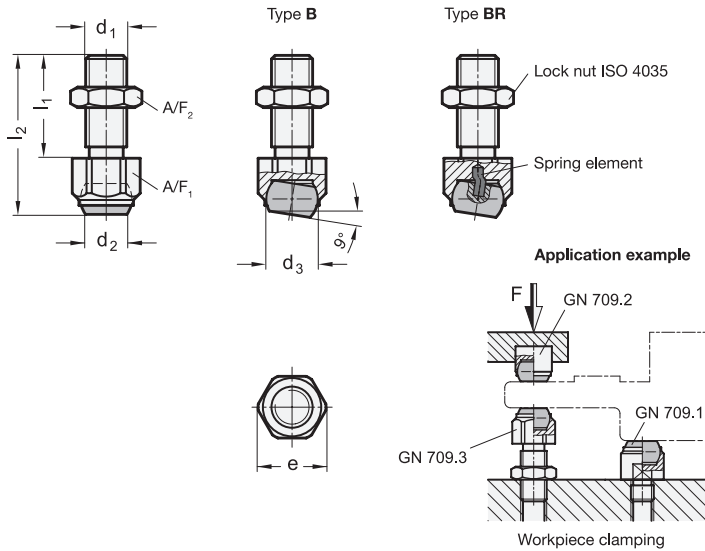
GN 709.35 clamping pads are used as movable supports or plungers for clamping workpieces. They can also be used as stops.

After the clamping process, the contact surfaces of clamping pads automatically reset themselves to their initial position. This prevents the bearing from jamming in an inclined position when the workpiece is inserted.

The bearing can be rotated by a maximum of 9° and is secured against further rotation.

TECHNICAL INFORMATION

- Stainless Steel characteristics (see page A26)



GN 709.35-B

STAINLESS STEEL

Description	A/F ₁	d ₁	d ₂	d ₃	e	l ₁	l ₂	A/F ₂	Static load max. in kN	⚖
GN 709.35-13-M8-B	13	M 8	5.8	8.5	14.5	25	36.6	13	8	20
GN 709.35-17-M10-B	17	M 10	8.6	12	19	30	45.7	17	8	44
GN 709.35-17-M12-B	17	M 12	8.6	12	19	35	50.7	19	15	56
GN 709.35-24-M16-B	24	M 16	10.5	16	27	40	60.7	24	25	128
GN 709.35-30-M20-B	30	M 20	20	25	33	50	77.3	30	90	275
GN 709.3-36-M24-B	36	M 24	20	25	40	70	100	36	90	472
GN 709.3-46-M30x1.5-B	46	M 30x1.5	34.6	40	51	65	100	46	165	772

GN 709.35-BR

STAINLESS STEEL

Description	A/F ₁	d ₁	d ₂	d ₃	e	l ₁	l ₂	A/F ₂	Static load max. in kN	⚖
GN 709.35-13-M8-BR	13	M 8	5.8	8.5	14.5	25	36.6	13	8	19
GN 709.35-17-M10-BR	17	M 10	8.6	12	19	30	45.7	17	8	43
GN 709.35-17-M12-BR	17	M 12	8.6	12	19	35	50.7	19	15	55
GN 709.35-24-M16-BR	24	M 16	10.5	16	27	40	60.7	24	25	124
GN 709.35-30-M20-BR	30	M 20	20	25	33	50	77.3	30	90	267
GN 709.3-36-M24-BR	36	M 24	20	25	40	70	100	36	90	457
GN 709.3-46-M30x1.5-BR	46	M 30x1.5	34.6	40	51	65	100	46	165	797